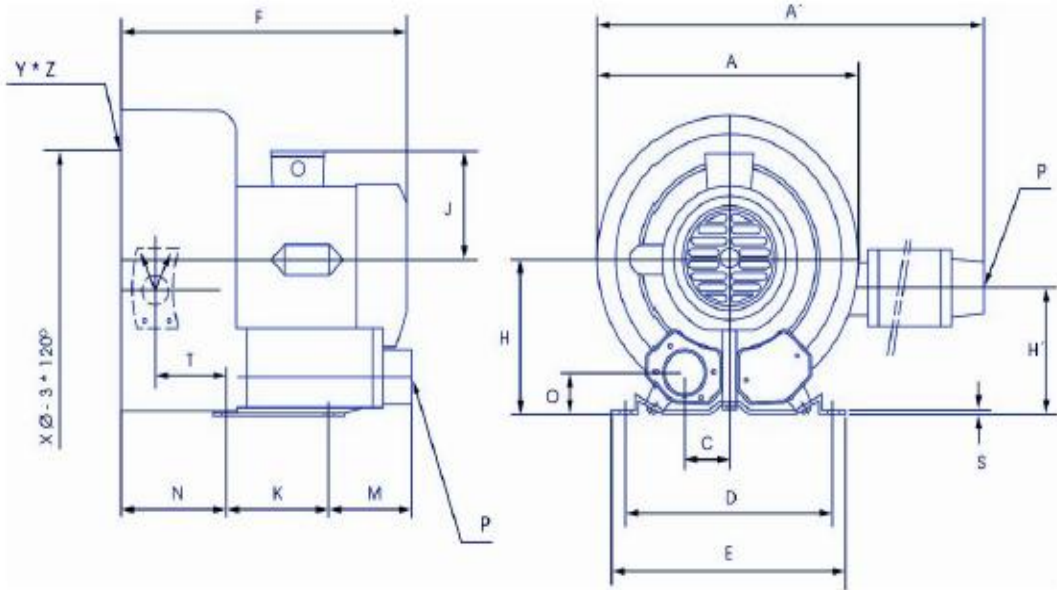


Double Stage

Phase	Model Number	KW	HP	Flow (CFM)	Max Pressure ("H2O)	Maximum Vacuum	Current (A) @ 230 V	Weight (lbs)	Sound Level (db)	Inlet Diameter	Curve Number
1	AB-202/1	0.75	1.00	58.00	83.00	67.00	6.5	45.00	68.00	1.125"	215H
3	AB-202	0.89	1.20	58.00	98.00	80.00	4.2	36.00	68.00	1.125"	40H

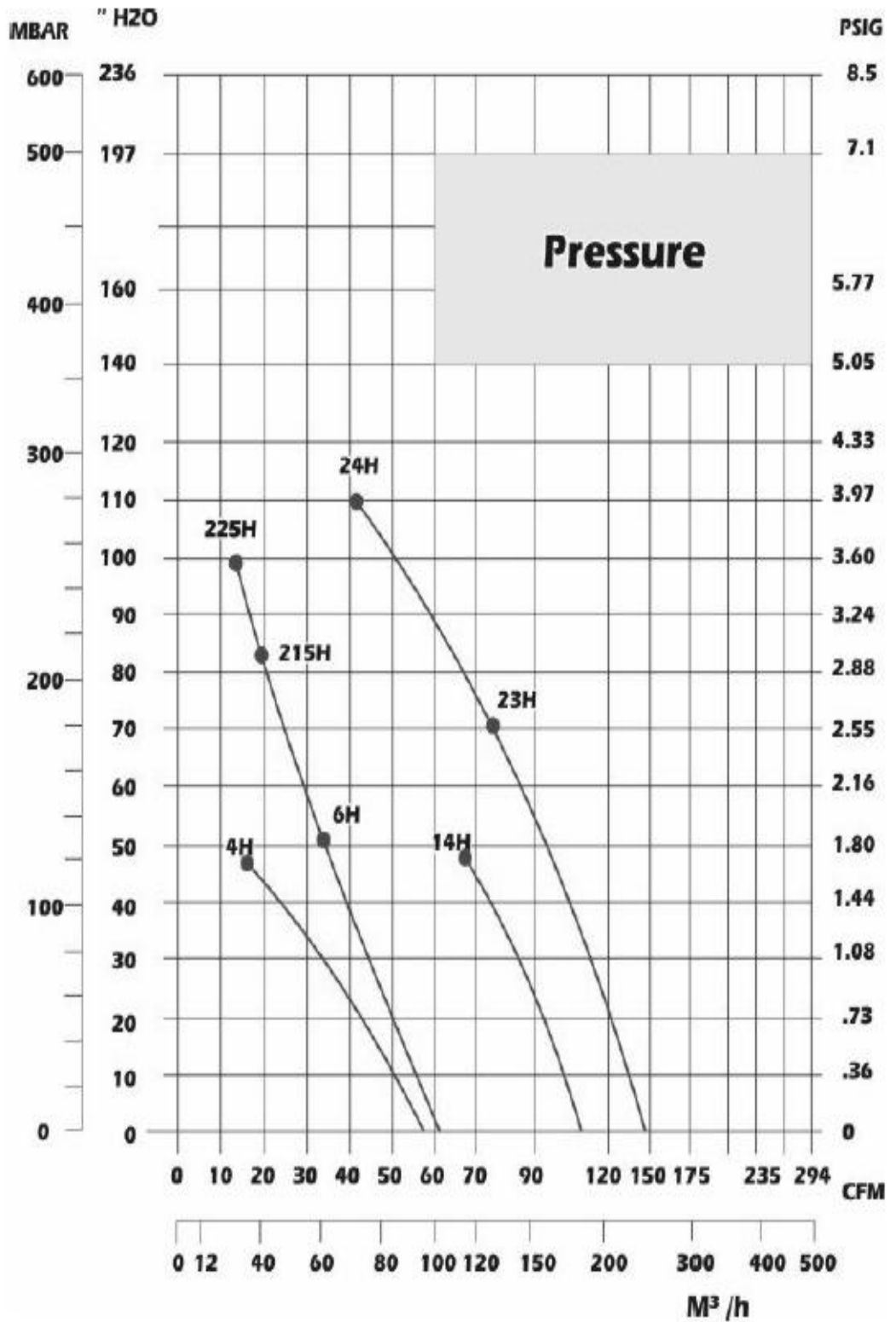
Double Stage



Model	KW	HP	A	A'	C	D	E	F	H	H'
AB-202/1	0.75	1.00	11.18	19.49	1.77	8.07	9.06	14.06	5.04	4.17
AB-202	0.89	1.20	11.18	19.49	1.77	8.07	9.06	12.61	5.04	4.17

Pressure Performance Curve

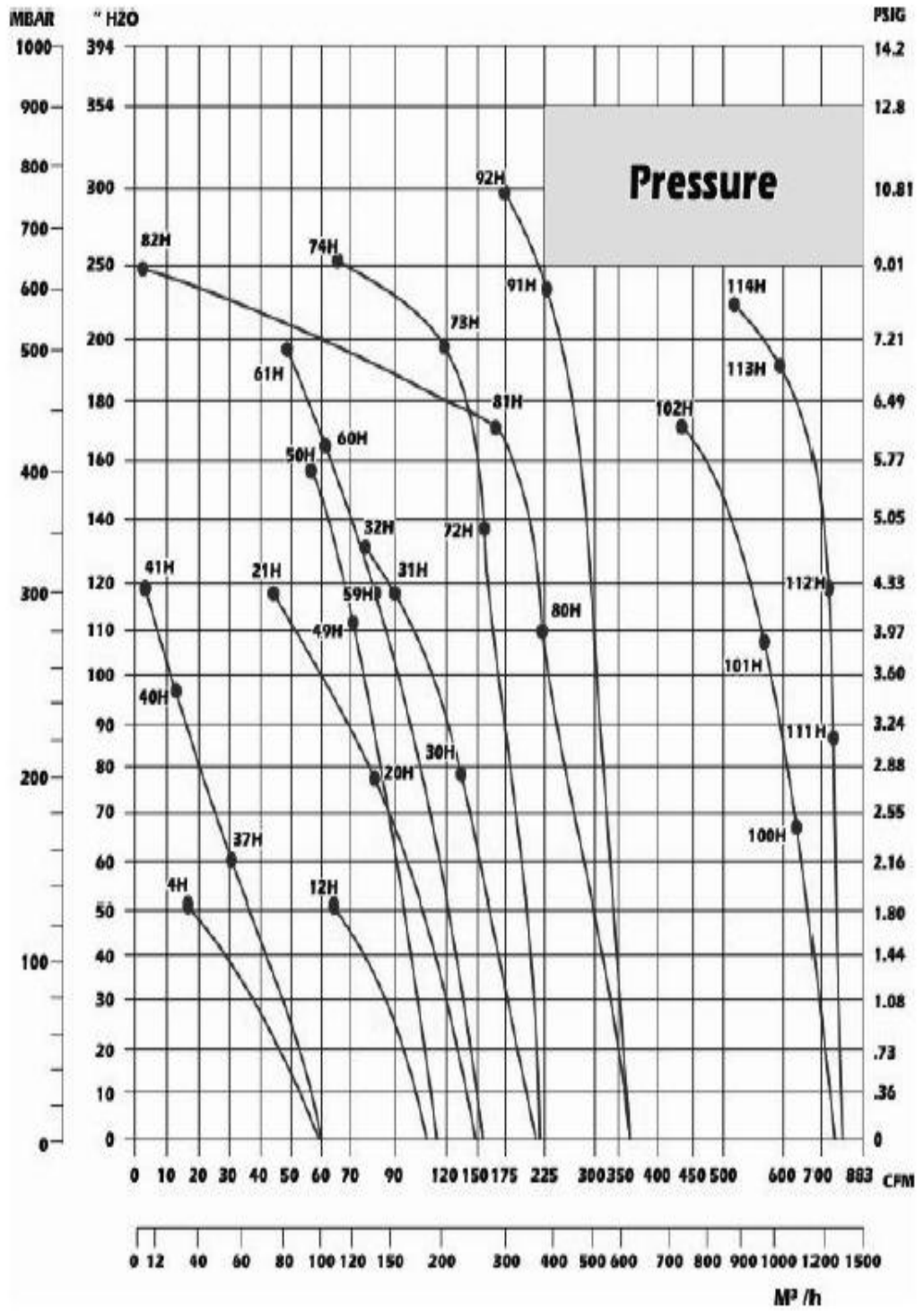
Single Phase



*Performance for all blowers is 60Hz. Ask for information on 50Hz.

Pressure Performance Curve

3 Phase



*Performance for all blowers is 60Hz. Ask for information on 50Hz.