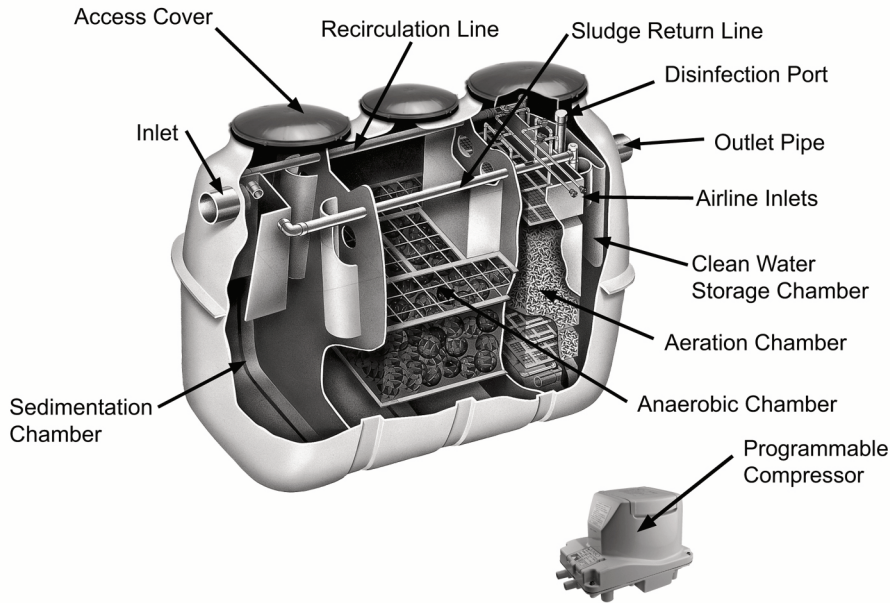


Fusion® Series Treatment Systems



Fusion Series Treatment Systems are compact, efficient and designed to be installed in a typical residential/commercial environment. All materials are noncorrosive plastics ideal for long term service in a septic environment.

The Fusion® Series Treatment Systems represent a collaboration with Fuji Clean Co., Ltd.



Fusion Series Treatment System CL0301

Part Number	Description
5250-0001	ZF450 Fusion unit / 3-bedroom
5250-0002	ZF600 Fusion unit / 4-bedroom
5250-0003	ZF800 Fusion unit / 5-bedroom
5250-0004	UV Disinfection unit #3G
5250-0005	Blower asm
5250-0007	Fusion service kit
5250-0008	ZF450 Fusion w/ Auto-Dialer panel
5250-0009	ZF600 Fusion w/ Auto-Dialer panel

5250-0010	ZF800 Fusion w/ Auto-Dialer panel
5085-0001	20" x 6" riser
5085-0002	20" cover
5086-0001	24" x 6" riser
5086-0002	24" cover
018848	Blower diaphragm kit, MX80N, MAC200N
018849	Blower air filter, MX80N