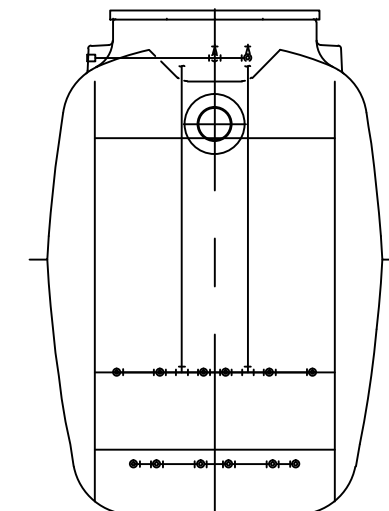
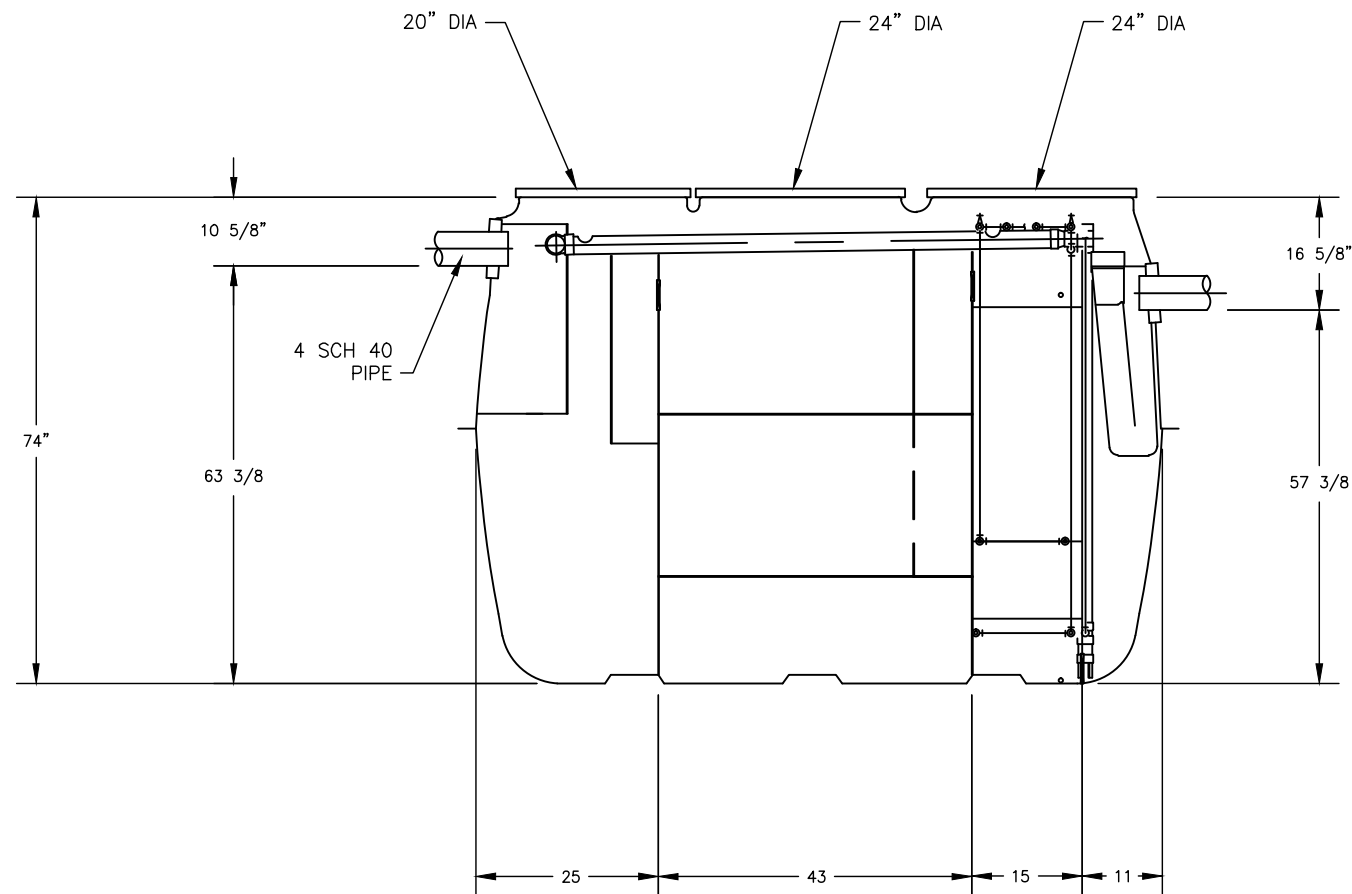
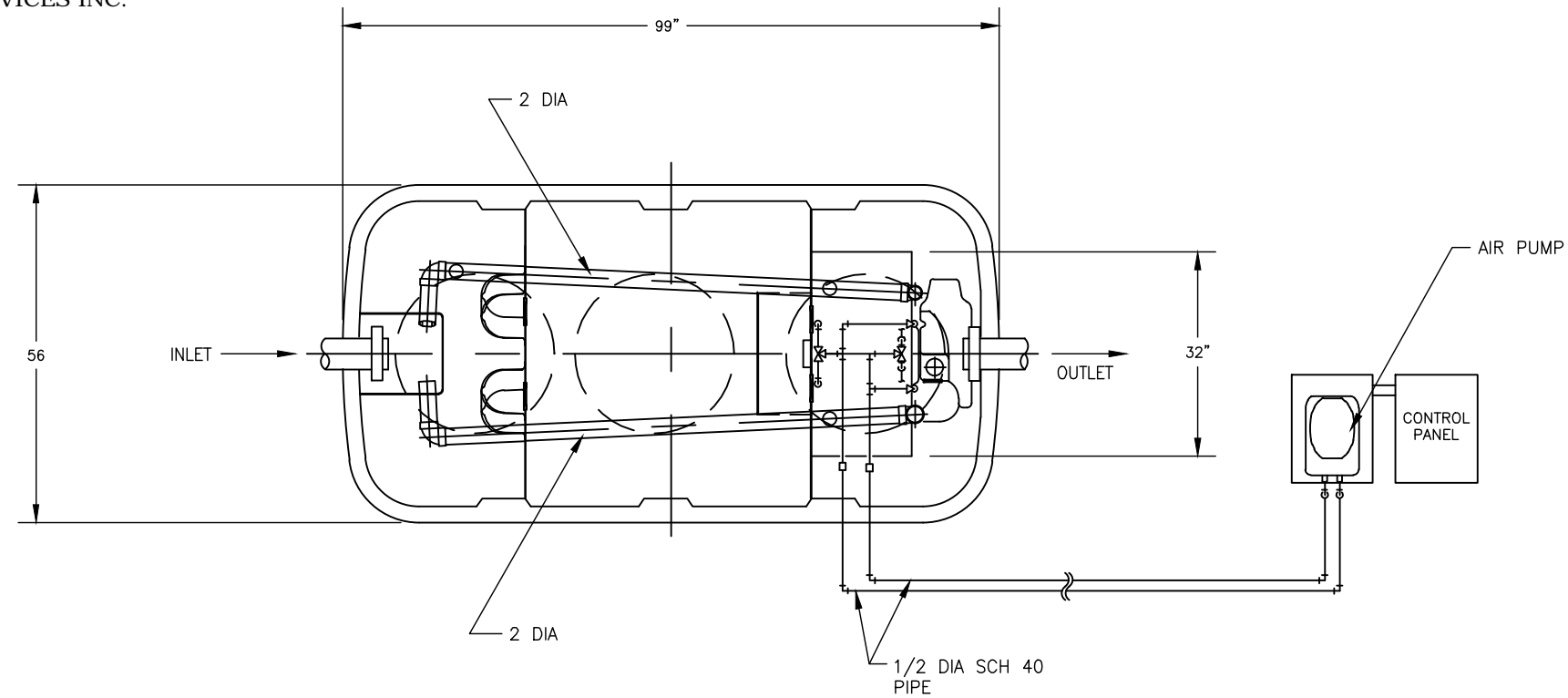


DRAWING NOT FOR CONSTRUCTION USE
UNLESS STAMPED CERTIFIED BY WATER
SERVICES INC.



UNCONTROLLED
COPY

NOTICE: THIS DRAWING HAS NOT BEEN PUBLISHED AND IS THE SOLE PROPERTY OF WATER SERVICES, INC. IT IS LENT TO THE BORROWER FOR HIS CONFIDENTIAL USE ONLY. IN CONSIDERATION OF THIS LOAN, THE BORROWER PROMISES TO RETURN IT UPON REQUEST AND AGREES THAT IT SHALL NOT BE REPRODUCED, COPIED, LENT, OR OTHERWISE DISPOSED OF, DIRECTLY OR INDIRECTLY, NOR USED FOR ANY PURPOSE OTHER THAN THAT FOR WHICH IT IS SPECIFICALLY FURNISHED.		TOLERANCE UNLESS NOTED: ALL DIMENSIONS IN INCHES DIMENSIONS IN [] = METRIC BREAK ALL SHARP EDGES CONNECTION POINTS = ± 1/4" ANGLES = ± 1° NON-FUNCTIONAL DIM'S = ± 1"	
DRAWN	DATE	CHECKED	DATE
K S		XXXXXX	
APPROVED	DATE	XXXXXX	
NEXT ASS'Y	WEIGHT	XXXXXX	



Water Services Inc.	
372 S. 900 W. Provo, Utah 84601	Phone: +1-801-705-4567 FAX: +1-801-221-2587
TITLE	REV
WSI-F-800	R
SCALE	DWG. NO.
CUSTOMER	#1
CUST	